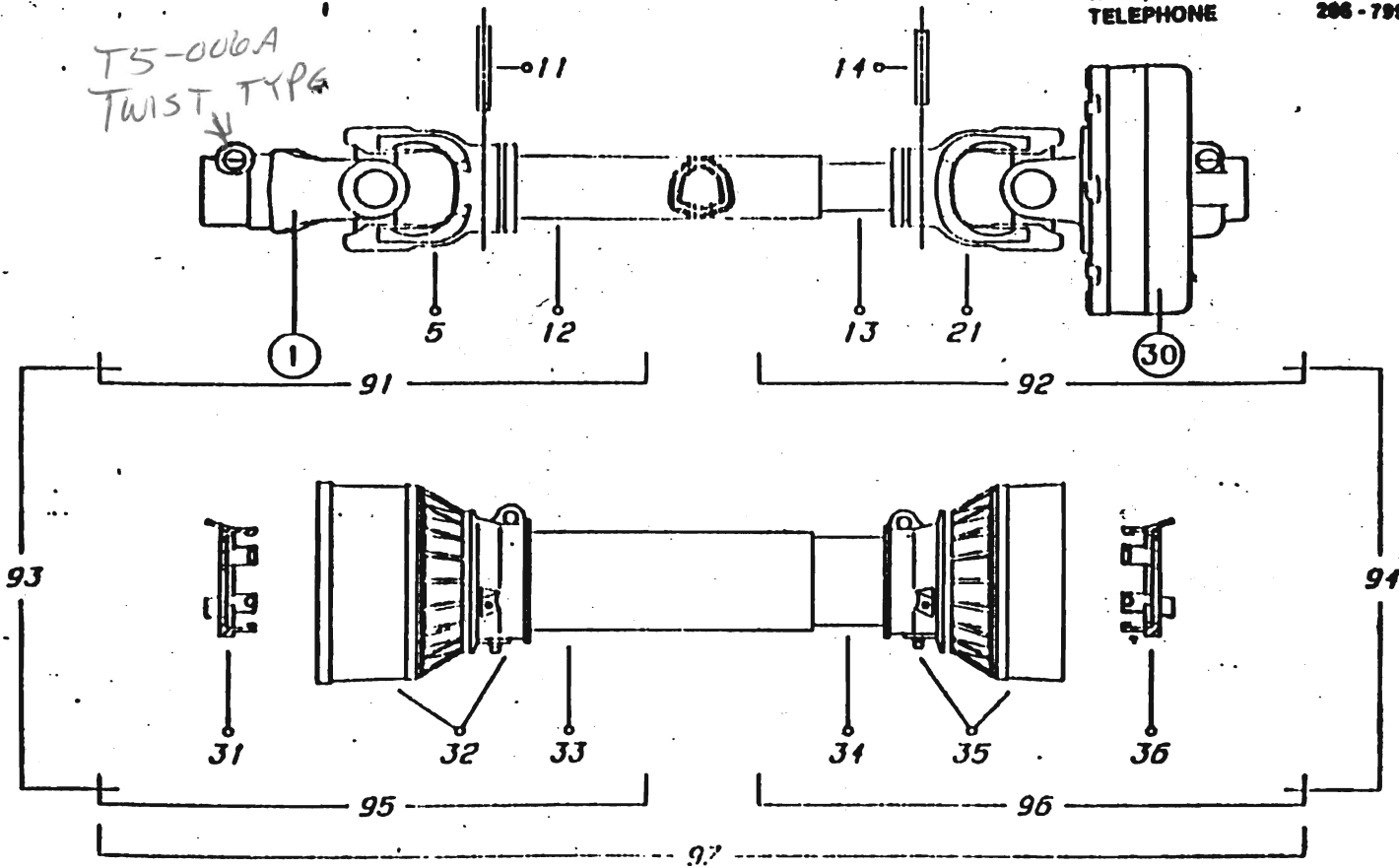




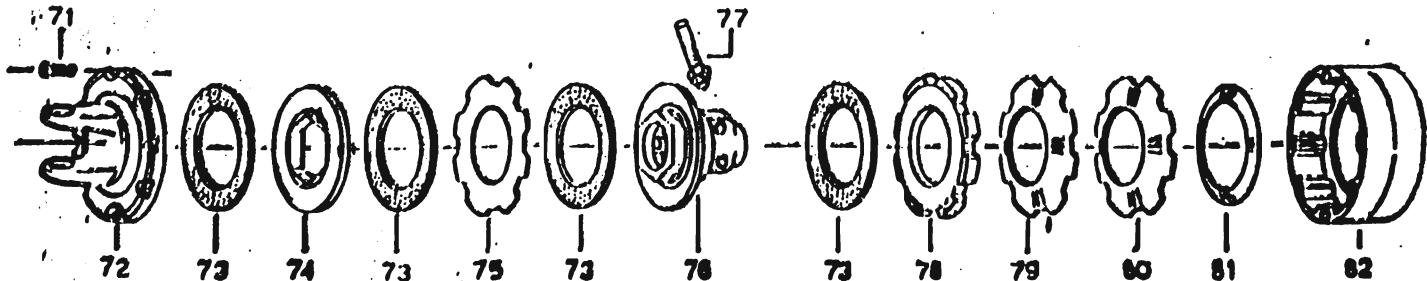
165 H.P.

BROWN
 MANUFACTURING CORPORATION
 RT. 3, OZARK, ALABAMA 36304
 TELEPHONE 206-795-6883

T5-000A
 TWIST TYPE



①



NOTE: ↑
 DEPENDS ON CONDITION
 OF SPINES INSIDE HUB



165 H. P. B & P DRIVE SHAFT PARTS LIST

REF#	PART#	DESCRIPTION	LI
1	T5-006	Q D YOKE	
	T5-006-21	Q D YOKE, 21 SPLINES	
2	T5-007	U-JOINT KIT	
3	T5-008	CLIP FOR U-JOINT	
4	TC-305B	GREASE FITTING	
5	T5-009	OUTER TUBE YOKE	
11	T5-010	PIN	
12	T5-011	OUTER TUBE	
13	T5-012	INNER TUBE	
14	T5-013	PIN	
21	T5-014	INNER TUBE YOKE	
30	T5-015	TORQUE LIMITER	
31	T5-016	OUTER SHIELD BEARING	
32	T5-017	OUTER CONE	
33	T5-018	OUTER SHIELD, LESS CONE	
34	T5-019	INNER SHIELD, LESS CONE	
35	T5-020	INNER CONE	
36	T5-021	INNER SHIELD BEARING	
51	TC-323	PIN ASSEMBLY	
71	TC-324A	SCREW	
72	T5-022	FLANGE YOKE	
73	TC-326	CLUTCH LINING	
74	TC-327	LINING PLATE	
75	TC-328	INNER PLATE	
76	T5-023A	HUB, OLD STYLE FOR Q D PIN	
	T5-023B	HUB, NEW STYLE FOR TAPERED LOCK BOLT	
77	T5-030	TAPER LOCK PIN	
51A	TC-323A	PIN ASSEMBLY FOR CLUTCH	
78	TC-331	TIGHTENING PLATE	
79	TC-332	SPRING	
80	T5-024	SPRING	
81	TC-333	SPRING RING	
82	TC-334	CLUTCH HOUSING	
93	T5-025	FRONT DRIVE SHAFT W/SHIELD	
	T5-025-1	FRONT DRIVE SHAFT (1000 R.P.M.)	
94	T5-026	REAR DRIVE SHAFT W/SHIELD	
95	T5-027	OUTER SHIELD ASSEMBLY	
96	T5-028	INNER SHIELD ASSEMBLY	
97	T5-029	SHIELD ASSEMBLY COMPLETE	

T5-026-1 REAR DRIVE SHAFT (1000 RPM) #450,25

PRICES SUBJECT TO CHANGE WITHOUT NOTICE.

T5-015-20 #542,25

EFFECTIVE MAY 1, 1993.