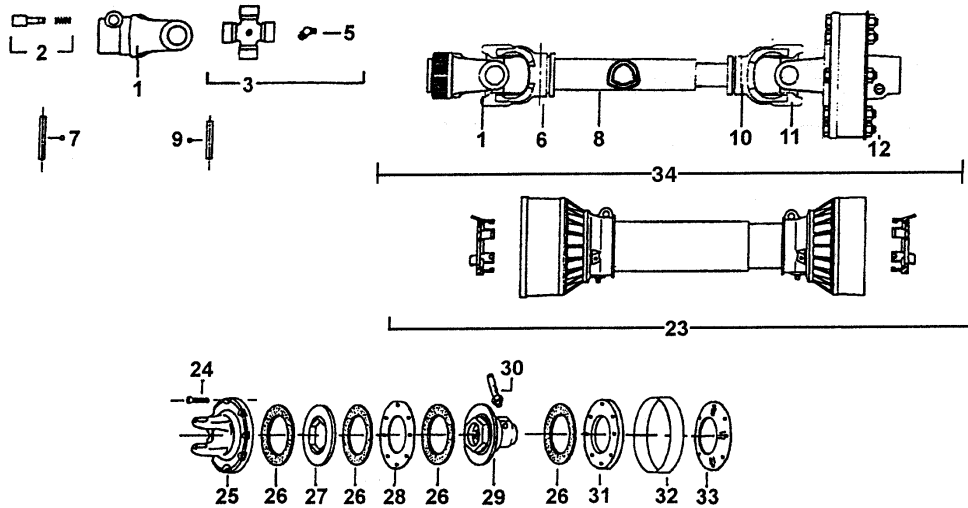




# Replacement Parts

## Drive Shaft & Slip Clutch



Ref. No.	Part No.	Description
1	T5-006-21	Yoke with quick-disconnect pin kit, 1000 RPM
	T5-006	Yoke with quick-disconnect pin kit, 540 RPM
2	TC-672	Quick-disconnect pin kit
3	T5-007	U-joint kit
5	TC-305B	U-joint grease fitting
6	T5-009	Outer tube yoke
7	T5-010	Outer tube yoke pin
8	T5-011	Outer tube
9	T5-013	Inner tube yoke pin
10	T5-012	Inner tube
11	T5-014	Inner tube yoke
12	T5-3401	Complete slip clutch assembly, 1000 RPM
	T5-3400	Complete slip clutch assembly, 540 RPM
23	684-19	Complete shield assembly
24	T5-3404	Retainer bolt
25	T5-3405	Flange yoke
26	TC-326	Clutch lining (4 req.)
27	T5-3406	Lining plate
28	T5-3407	Inner plate
29	T5-3408	Clutch hub, 1-3/4" x 6 spline
	T5-3408-20	Clutch hub, 1-3/4" x 20 spline
30	T5-030	Flanged hub bolt
31	T5-3409	Tightening plate
32	T5-3411	Clutch housing band
33	T5-3410	Spring plate
34	B-684	Drive Shaft Complete, 540 RPM 1-3/8" -6 x 1-3/4" -6 Spline
	B-684-1	Drive Shaft Complete, 1000 RPM 1-3/8" -21 x 1-3/4" -20 Spline