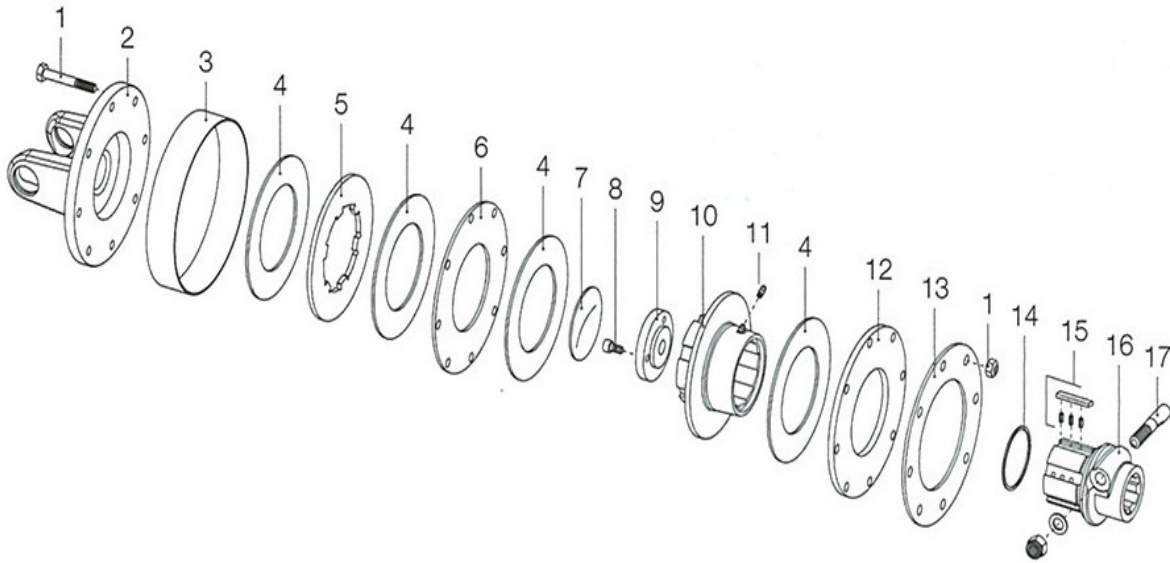


# Replacement Parts

## Slip Clutch Assembly



Ref. No.	Part No.	Qty.	Description
1	236-1325	8	Bolt, nut, overrun clutch
2	236-1304	1	Yoke, flange
3	236-1306	1	Band, adjustment
4	236-1305	4	Lining
5	236-1307	1	Plate, drive, inner
6	236-1308	1	Plate, inner
7	236-1309	1	Plate, locking
8	236-1310	1	Bolt
9	236-1311	1	Plug, overrunning clutch
10	236-1312	1	Plate, drive
11		1	Fitting, grease
12	236-1313	1	Plate, pressure
13	236-1314	1	Spring, belleville
14	236-1315	1	Snap ring
15	236-1316	6	Pawl & Spring kit
16	236-1317	1	Hub, w/taper pin, 1-3/4" z6 spline
	236-1318		Hub, w/taper pin, 1-3/4" z20 spline
18	236-1319	1	Taper pin w/nut
NP	236-1300		Overrunning, clutch assembly 1-3/4 z6 spline - 540 RPM
NP	236-1301		Overrunning, clutch assembly 1-3/4 z20 spline - 1000 RPM