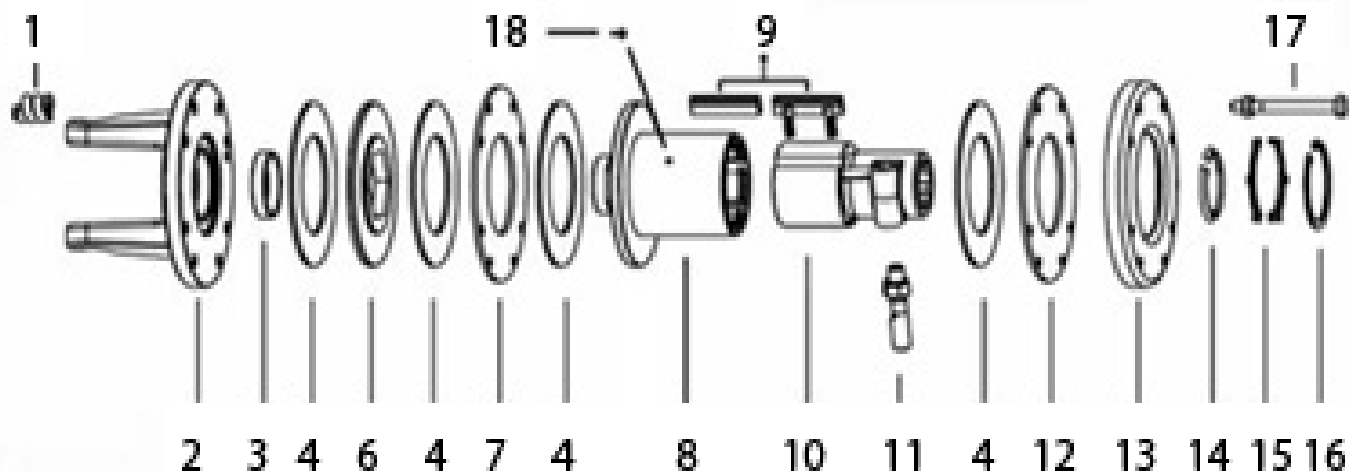


## Replacement Parts

### Slip Clutch



Ref. No.	Part No.	Description
1	236-0032	SPRING, PRESSURE
2	236-0017	YOKE, FLANGE, CLUTCH
3	236-0018	RING, CENTERING
4	236-0038	LINING, SET, 3-SMALL HOLE, 1-LARGE HOLE
6	236-0020	PLATE, HEX
7	236-0021	PLATE, SPACER, SMALL HOLE
8	236-0034	DRIVE PLATE
9	236-0025	PAWL/LOCK WITH SPRINGS, 3 - REQUIRED
10	236-0024 236-0023	HUB, 1-3/4" 6 - SPLINE HUB, 1-3/4" 20 - SPLINE
11	236-0033	BOLT, TAPER, WITH NUT
12	236-0022	PLATE, SPACER, LARGE HOLE
13	236-0027	COVER, PRESSURE
14	236-0028	WASHER, SPLIT *MOUNT BEVEL UP*
15	236-0029	WASHER, 2 PIECE *MOUNT BEVEL DOWN*
16	236-0030	RING, SNAP
17	236-0031	BOLT, SPRING WITH NUT
18		FITTING ZERK