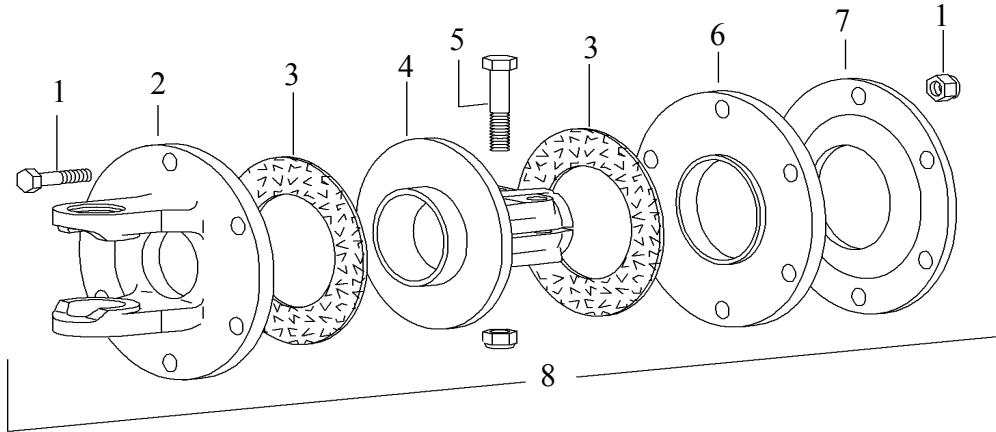


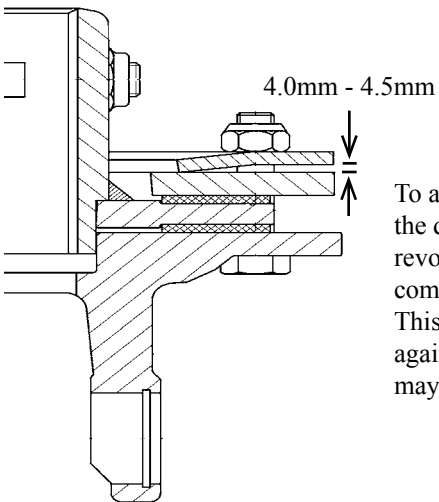
Replacement Parts

2-Disc Slip Clutch (460, 472)



Ref. No.	Part No.	Description
1	236-1750	Bolt, nut, clutch tension
2	236-1702	Yoke, flanged, 2 disc
3	236-1703	Lining, clutch, 2 req.
4	236-1704	Hub, 2 disc, 1-3/4" z 20
5	236-1760	Bolt, hub with nut (2 req.)
6	236-1705	Plate, thrust, 2 disc
7	236-1706	Spring, belleville, 2 disc
8	236-1701	Clutch assembly, 2 disc

CLUTCH ADJUSTMENT PROCEDURE 460 - 472 2-DISC SLIP CLUTCH



To adjust the clutch to proper torque, the gap between the belleville spring and the drive plate should be between 4.0-mm and 4.5mm. Tightening the nut one revolution will compress the spring 1.5-mm. Tightening the nut one flat side will compress the spring 0.25mm. This can also be set by tightening each of the lock nuts until the spring is flat against the drive plate and then loosening each nut 3 full revolutions. The clutch may be adjusted by using two (2) 17-mm wrenches.