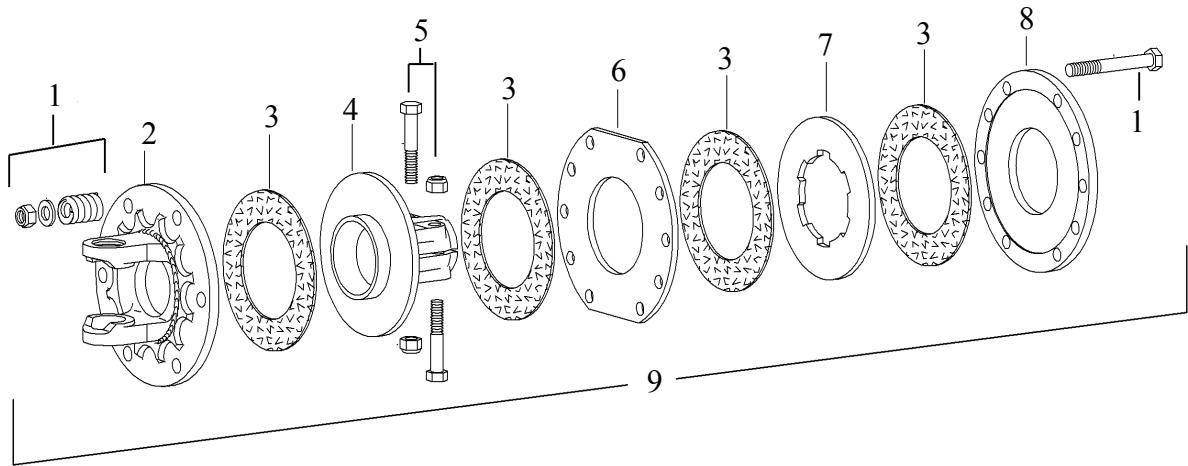


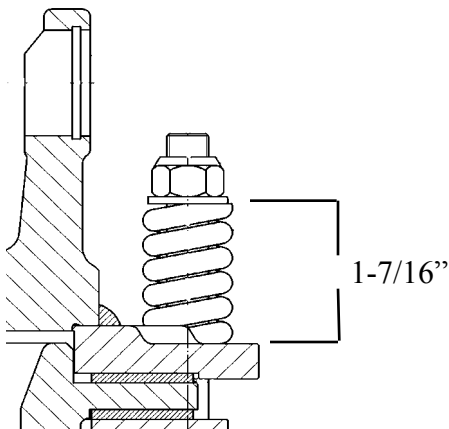
Replacement Parts

4-Disc Slip Clutch (484)



1

Ref. No.	Part No.	Description
1	236-1847	Bolt kit, nut, washer and spring
2	236-1802	Yoke, flange, 4 disc
3	236-1703	Lining, clutch (4 req.)
4	236-1804	Hub, 4 disc, 1-3/4" x 20
5	236-1845	Bolt, hub with nut (2 req.)
6	236-1805	Plate, drive flanged, 4 disc
7	236-1806	Plate, drive, splined, 4 disc
8	236-1807	Plate, thrust, 4 disc
9	236-1801	Clutch assembly, slip, 4 disc



PROPER TORQUE ADJUSTMENT

TO RESET SLIP CLUTCH TO PROPER TORQUE SETTING TIGHTEN ALL SPRING BOLTS DOWN TO COMPRESS THE SPRINGS TO A UNIFORM HEIGHT. THE TOTAL HEIGHT OF THE SPRINGS MUST BE 1-7/16" FROM THE FLAT TOP OF SPRING DOWN TO THE TOP OF THE FLANGE PLATE - SEE DRAWING.

NOTE: THIS IS A MEASUREMENT OF THE SPRING ONLY - NO WASHER OR NUT IN THIS MEASUREMENT.