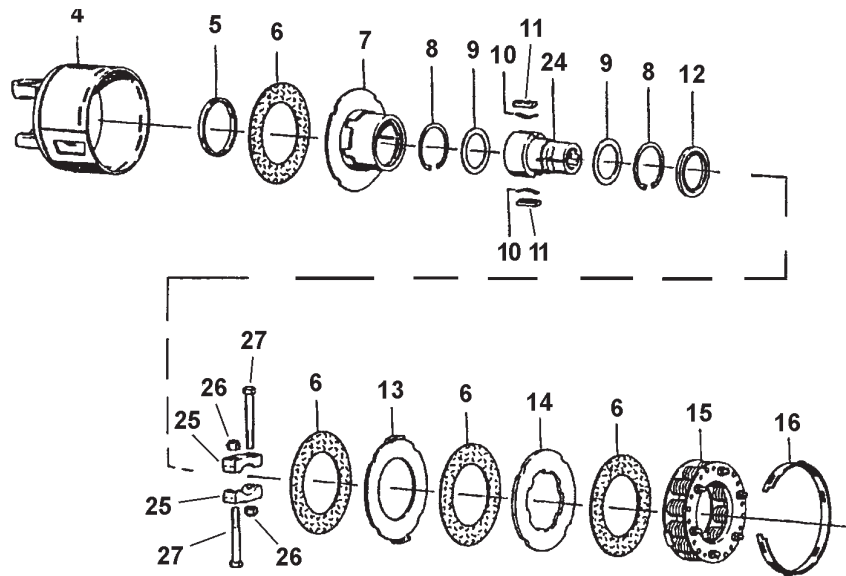
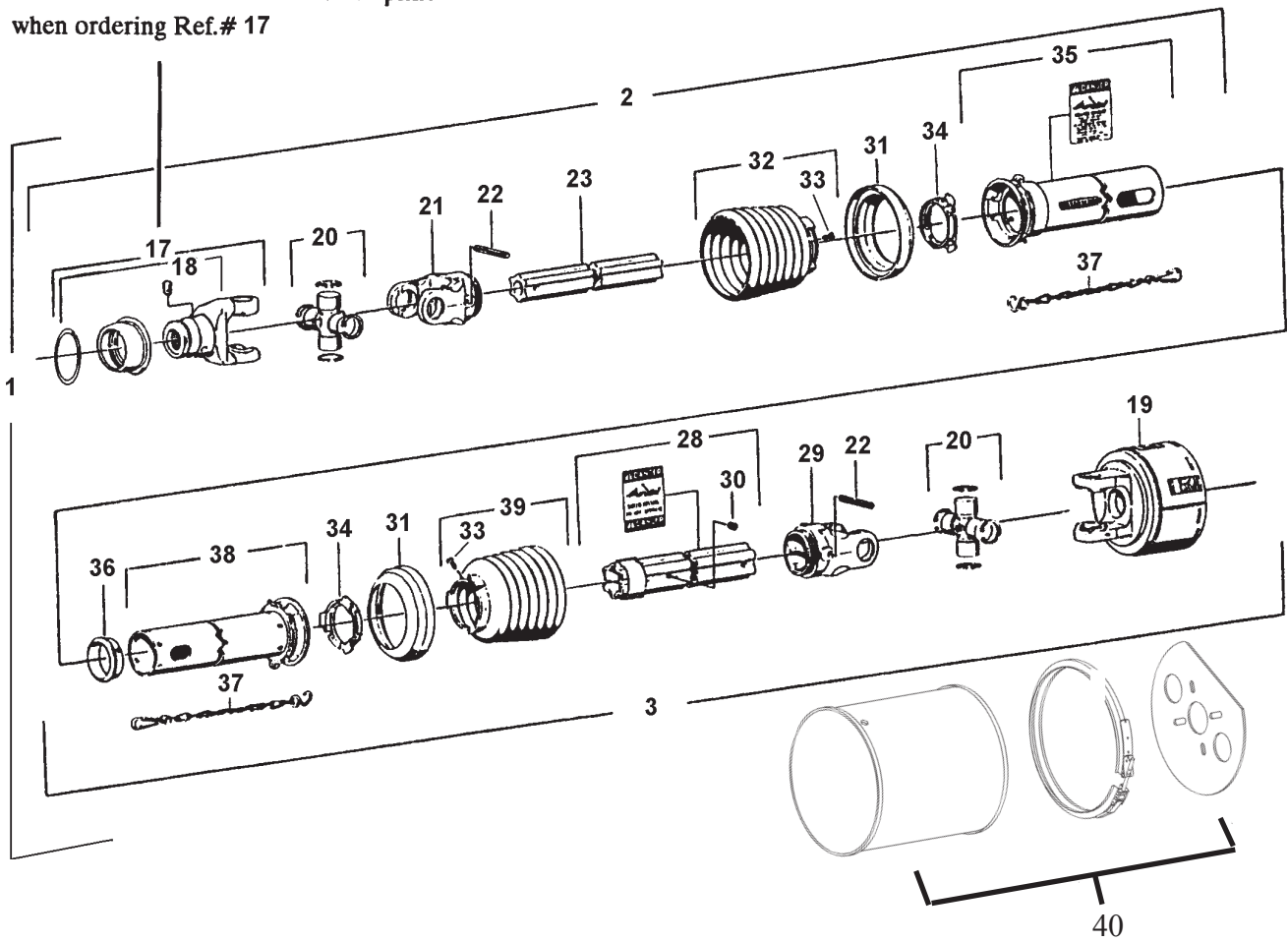


Replacement Parts

Drive Shaft & Slip Clutch



Please note tractor PTO size & spline
when ordering Ref.# 17



Replacement Parts

Drive Shaft & Slip Clutch (*continued*)

Ref. No.	Part No.	Description
4	T5-W18	Clutch outer body housing
5	T5-W19	Centering ring
6	T5-W20	Lining (4 required)
7	T5-W21	Drive plate
8	T5-W22	Lock ring (2required)
9	T5-W23 T5-W31	Washer - 1-3/4" hub (2 required) Washer - 1-3/8" hub (2 required)
10	T5-W24	Leaf spring (2 required)
11	T5-W25	Key (2 required)
12	T5-W32 T5-W38	Seal - 1-3/4" hub Seal - 1-3/8" hub
13	T5-W26	Drive plate - outside
14	T5-W27	Drive plate - inside
15	T5-W49	Spring pack - 1800 nm
16	T5-W29	Setting ring
17	T5-W1 T5-W36 T5-W39	Tractor end yoke w/Q.D. kit - 1-3/8" x 21 spline Tractor end yoke w/Q.D. kit - 1-3/8" x 6 spline Tractor end yoke w/Q.D. kit - 1-3/4" x 20 spline
18	T5-W2 T5-W2A	Quick-disconnect kit - 1-3/8 Quick-disconnect kit - 1-3/4"
19	T5-W3 T5-W3A T5-W3B	Combo clutch - 1-3/4" x 20 spline Combo clutch - 1-3/8" x 6 spline Combo clutch - 1-3/4" x 6 spline

Replacement Parts

Drive Shaft & Slip Clutch *(continued)*

Ref. No.	Part No.	Description
20	T5-W4	U-joint kit
21	T5-W5	Yoke inner tube - tractor end
22	T5-W6	Roll pin
23	T5-WS3 T5-WS3A	Inner tube - all 5' models Inner tube - all 6' models
24	T5-W30 T5-W43	Hub - 1-3/4" x 6 spline Hub - 1-3/4" x 20 spline
25	T5-W33 T5-W37	Clamp - 1-3/4" hub (2 req.) Clamp - 1-3/8" hub (2 req.)
26	T5-W34 T5-W34A	Nut (for T5-W33) Nut (for T5-W37)
27	T5-W35 T5-W35A	Bolt (for T5-W33) Bolt (for T5-W37)
28	T5-WS4 T5-WS4A	Outer tube w/ sleeve - all 5' models Outer tube w/ sleeve - all 6' models
29	T5-W7	Yoke outer tube - implement end
30	T5-W8	Grease fitting
31	T5-W9	Cone reinforcement collar
32	T5-W10	Cone shield - tractor end (7 rib)
33	T5-W11	Screw
34	T5-W12	Plastic shield bearing
35	T5-W13 T5-W40	Outer shield, tractor end - all 5' models Outer shield, tractor end - all 6' models
36	T5-W14	Inner tube bearing support - implement end
37	T5-W15	Safety chain
38	T5-WS5 T5-W41	Inner tube shield - all 5' models inner tube shield - all 6' models
39	T5-W16	Shield cone - implement end (7 rib)
40	BS-1A BS-1 BS-2 BS-3	Bell shield assembly Housing, bell shield Clamp, bell shield Plate, bell shield
Not shown	T5-W8A	Grease fitting (U-joint)